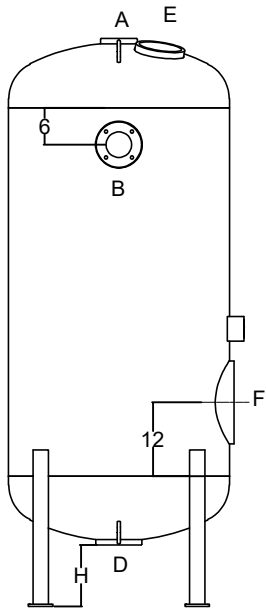
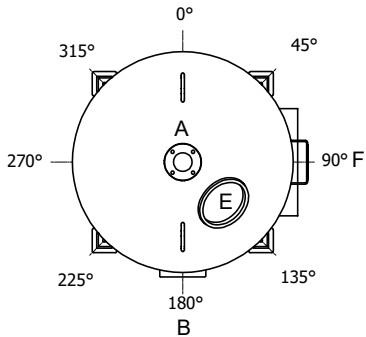
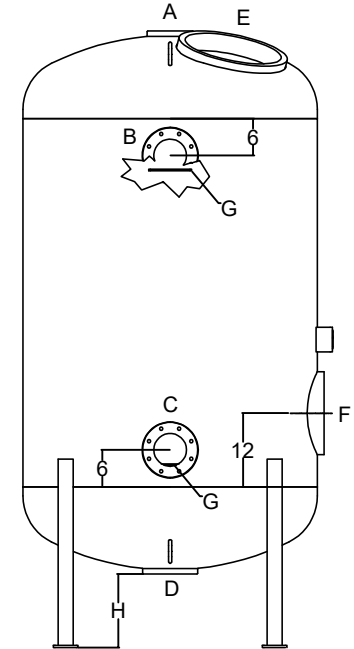
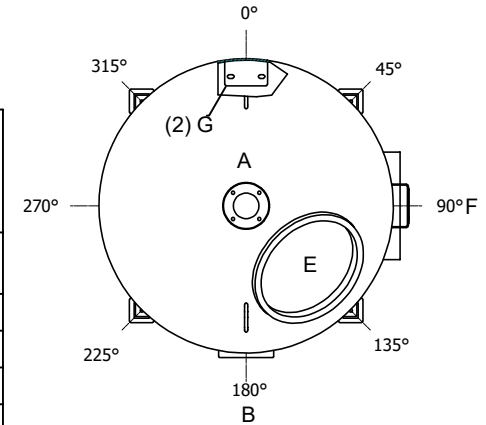


UNIVERSAL TANK & FABRICATION



UTF-WTR DOUBLE TAP FLANGE SERIES / 100 PSI ASME / NSF-61 / NSF-600 LINED "UNIVERSAL" DESIGN FOR USE WITH HUB OR LATERAL UNDER-DRAINS AND MULTIPLE DISTRIBUTION SYSTEM DESIGNS						
DIAMETER / SHELL LENGTH / OAH						
SCHEDULE	36 X 60 X 92.5	36 X 72 X 104.5	48 X 60 X 100.5	48 X 72 X 112.5	60 X 60 X 106.5	60 X 72 X 118.5
VOLUME	310 G	363 G	586 G	679 G	967 G	1112 G
WEIGHT	727 LBS	808 LBS	1179 LBS	1285 LBS	1949 LBS	2117 LBS
A	2" DBT	2" DBT	3" DBT	3" DBT	3" DBT	3" DBT
B	3" DBT	3" DBT	4" DBT	4" DBT	4" DBT	4" DBT
C	-----	-----	4" DBT	4" DBT	4" DBT	4" DBT
D	3" DBT	3" DBT	4" DBT	4" DBT	4" DBT	4" DBT
E	6" X 8"	6" X 8"	12" X 16"	12" X 16"	12" X 16"	12" X 16"
F	12" X 16"	12" X 16"	12" X 16"	12" X 16"	12" X 16"	12" X 16"
G	-----	-----	(2) PIPE HNGR	(2) PIPE HNGR	(2) PIPE HNGR	(2) PIPE HNGR
H	10"	10"	12"	12"	12"	12"
DRAWING NUMBER	BS036060C009	BS036072C003	BS048060C007	BS048072C006	BS060060C005	BS060072C002
EXT. PAINT	1 COAT MACROPOXY 646 5-10 MILS, 1 COAT ACROLON 218 3-6 MILS "UNIVERSAL BLUE"					
INT. LINING	(2) COATS SHERPLATE 600 10-20 MILS TOTAL DFT					
OPTIONS	3" OR 4" SIGHT GLASS W/ COVER FOR USED PORT(S)					
**	3" OR 4" BLIND FLANGES FOR UNUSED PORT(S)					
NOTES	PIPE HANGERS ARE 316 STAINLESS STEEL					
**	NAME PLATE BRACKET, (2) LIFT LUGS & (1) TAILING LUG INCLUDED					



Sales Contacts:

Chris Doyle - VP of Sales, ext 227
Michael Jackson - Estimating, ext 212

E: ced@universaltank.com
E: sales@universaltank.com

Universal Tank & Fabrication

8025 Chavenelle Rd. • Dubuque, IA 52002
563-556-5889 • F: 563-556-5870